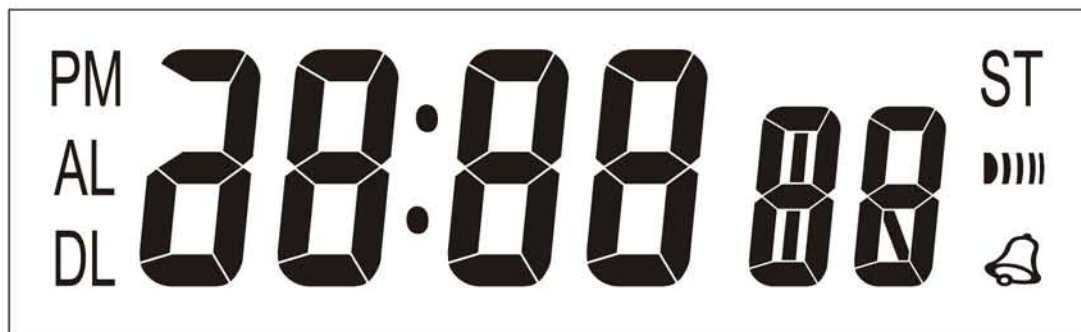


DL9106

同步手表IC



A) FEATURES

- 1) 1.5V Operate
- 2) Low Power Consumption
- 3) Functions Include :
 - a) Stepping Motor to Control Analog Clock Pointer
 - b) Clock with Seconds Display
 - c) Month / Date / Day Display
 - d) Alarm
 - e) Dual Time (2nd Time Zone)
 - f) StopWatch
- 4) 12HR / 24HR Selectable
- 5) Hourly Chime

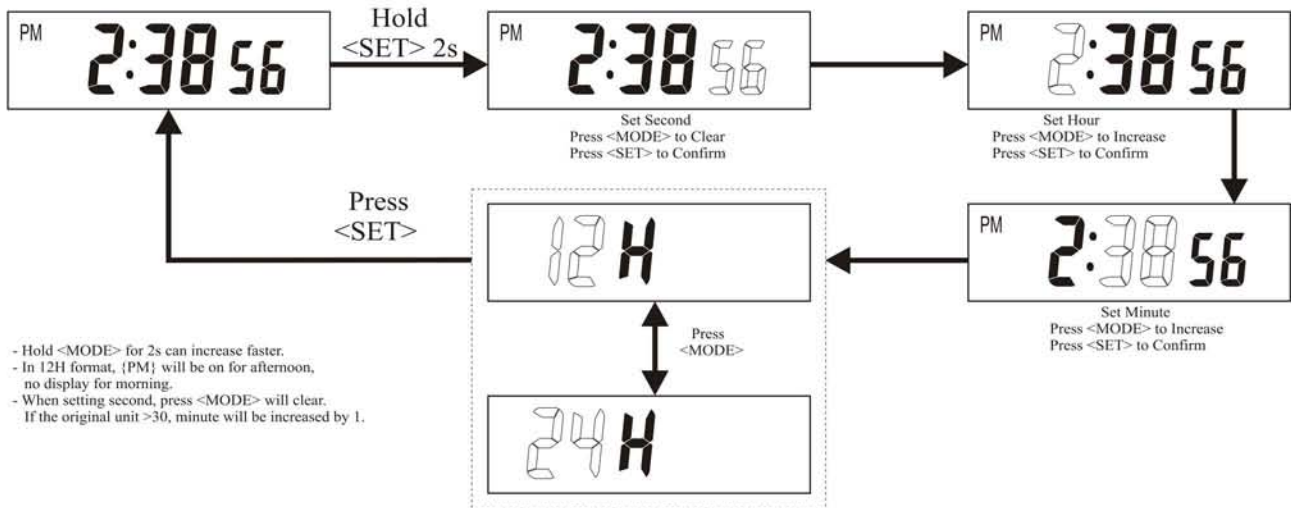
DL9106

同步手表IC



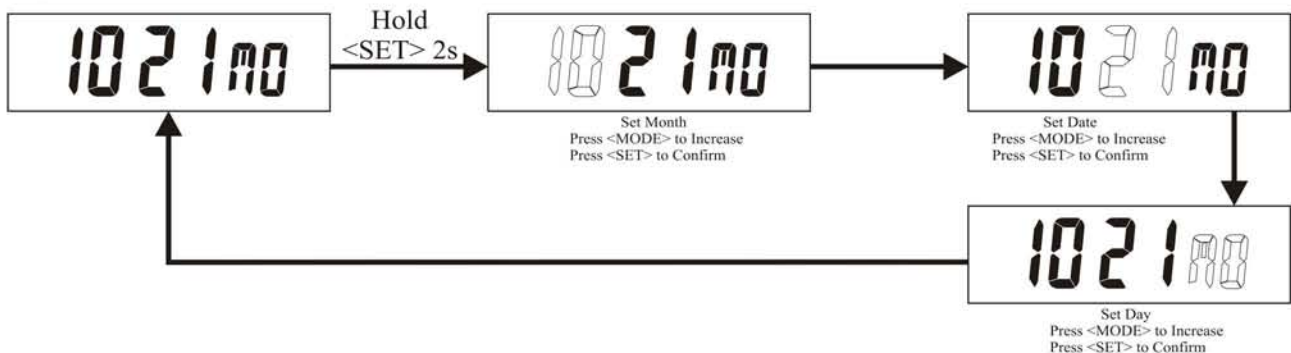
C) SETTING PROCEDURES

1) Set Clock



- Hold <MODE> for 2s can increase faster.
- In 12H format, (PM) will be on for afternoon, no display for morning.
- When setting second, press <MODE> will clear.
- If the original unit >30, minute will be increased by 1.

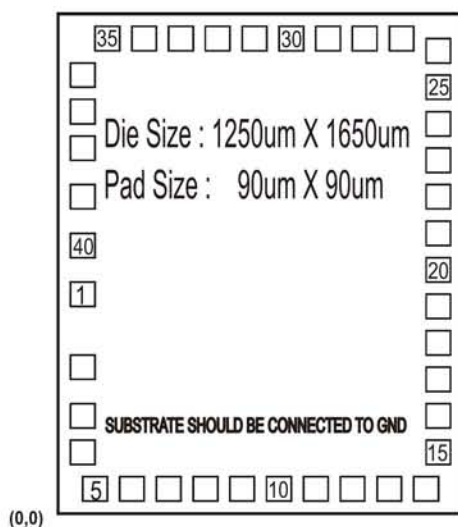
2) Set Date



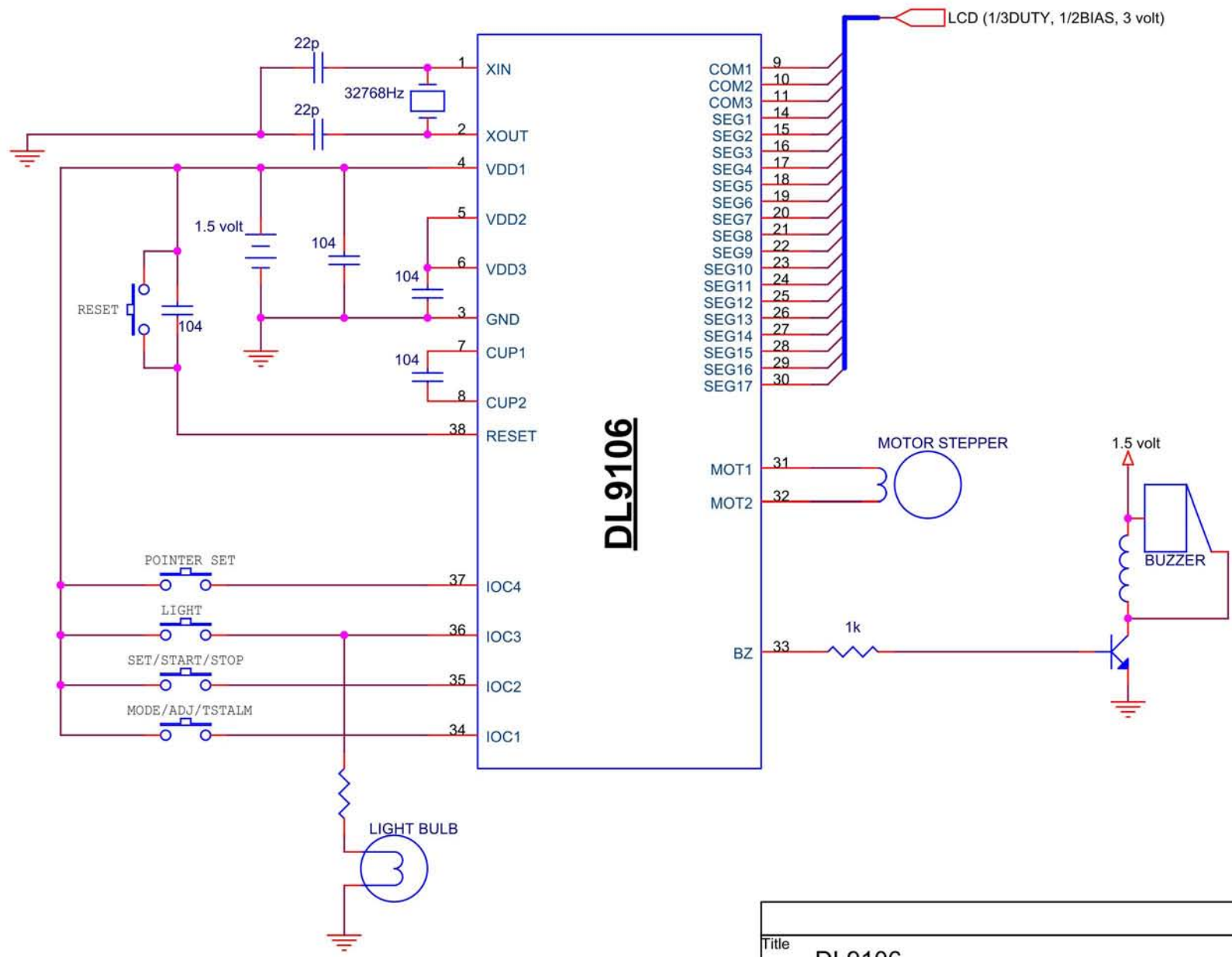
DL9106

同步手表IC

D) DIE DIAGRAM



NO	NAME	X	Y	NO	NAME	X	Y
1	XIN	72.5	712.85	21	SEG8	1176.85	919.5
2	XOUT	72.5	451.35	22	SEG9	1176.85	1041.5
3	GND	75.0	314.05	23	SEG10	1176.85	1163.5
4	VDD1	75.0	199.05	24	SEG11	1176.85	1285.5
5	VDD2	94.95	72.5	25	SEG12	1176.85	1407.5
6	VDD3	209.95	72.5	26	SEG13	1176.85	1534.2
7	CUP1	324.95	72.5	27	SEG14	1056.1	1571.3
8	CUP2	439.95	72.5	28	SEG15	936.1	1571.3
9	COM1	554.95	72.5	29	SEG16	816.1	1571.3
10	COM2	669.95	72.5	30	SEG17	696.1	1571.3
11	COM3	784.95	72.5	31	MOT1	576.1	1571.3
12	N.C.	899.95	72.5	32	MOT2	456.1	1571.3
13	N.C.	1014.95	72.5	33	BZ	336.1	1571.3
14	SEG1	1129.95	72.5	34	IOC1	216.1	1571.3
15	SEG2	1176.85	187.5	35	IOC2	96.1	1571.3
16	SEG3	1176.85	309.5	36	IOC3	72.5	1440.65
17	SEG4	1176.85	431.5	37	IOC4	72.5	1325.65
18	SEG5	1176.85	553.5	38	RESET	72.5	1188.65
19	SEG6	1176.85	675.5	39	N.C.	72.5	1029.85
20	SEG7	1176.85	797.5	40	N.C.	72.5	871.65

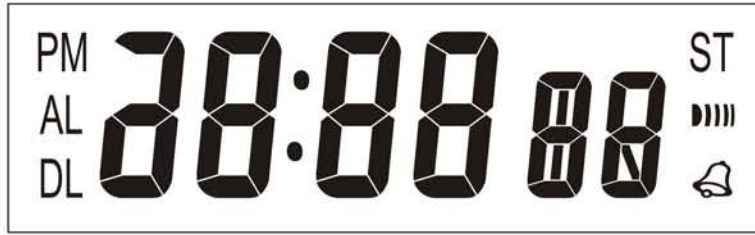


DL9106

Title		
DL9106		
Size	Document Number	Rev
A		1.1
Date:	Tuesday, November 19, 2002	Sheet 1 of 1

DL9106

同步手表IC



1/3 Duty, 1/2 Bias, 3 Vlcd

